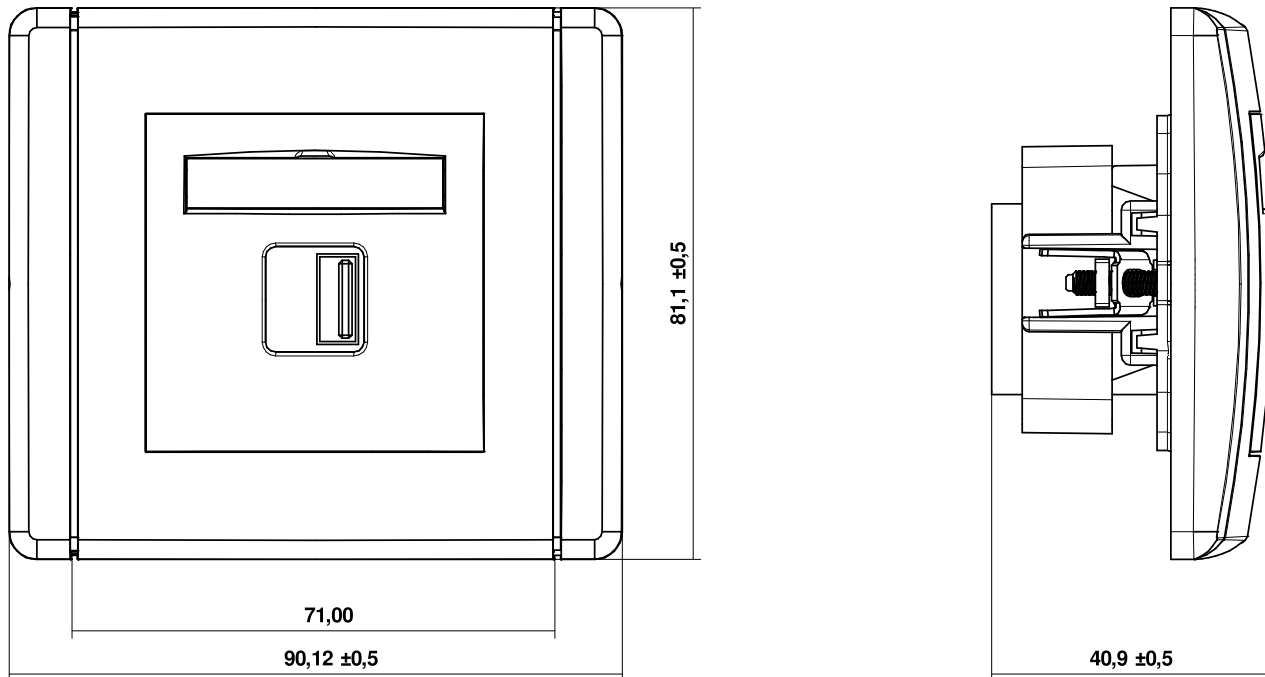


USER MANUAL: FCUSB-1 / FCUSB-3 SINGLE USB CHARGER

Specification of FCUSB-1 / FCUSB-3 single USB charger

The FCUSB-1 / FCUSB-3 charger is intended to charge devices like smartphones, MP3 players and other electronic equipment. Before connecting the device, check compliance of the charger with charging parameters of the given device.



Specification

Number of USB ports (type A))	1
Nominal input voltage	110-240 V~ 50/60Hz
Nominal input current	0,25 A
Nominal output voltage	5 V DC
Nominal output current	1 A / 2 A
Ingress protection degree	IP 20

Warranty conditions

Warranty is granted for a period of 12 months of the date of purchase. The defective FCUSB-1 / FCUSB-3 charger along with the proof of purchase should be sent to the manufacturer or to the seller. Warranty does not include mechanical damages, defects resulting from unauthorised repairs and improper use of the product.

Warranty period will be extended for the duration of the repair.

ASSEMBLY INSTRUCTIONS

1. Remove the glass panel (1) with the label applying a knife or a flat screwdriver in the recess (3).
2. Remove the screw (2).
3. Dismantle the USB charger module (4).
4. Remove the external frame (5) from the mounting block (6). Pull away block tabs or pull the frame to do this.
5. Place the mounting block in the box (8) with claws or screws near the box (7).
6. Insert the external frame (5) in the clamps protruding from the mounting block.
7. Connect the wires of the installation to the USB charger module as shown in Figure 2.
8. Insert the USB charger module in the intermediary unit.
9. Screw down the intermediary unit to the assembly block.
10. Attach the label and glass pane.

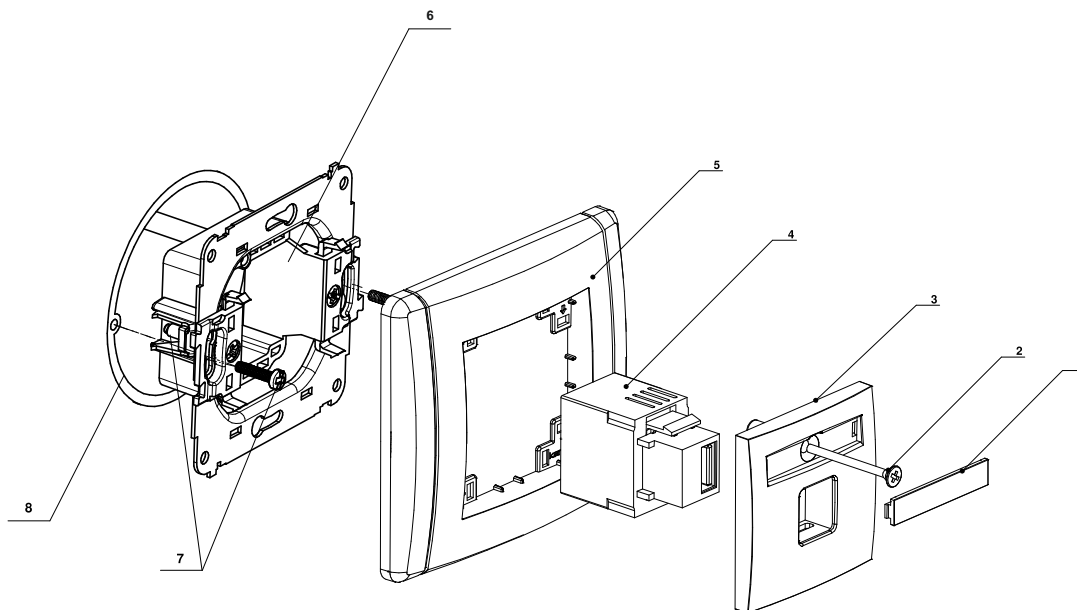


Fig. 1

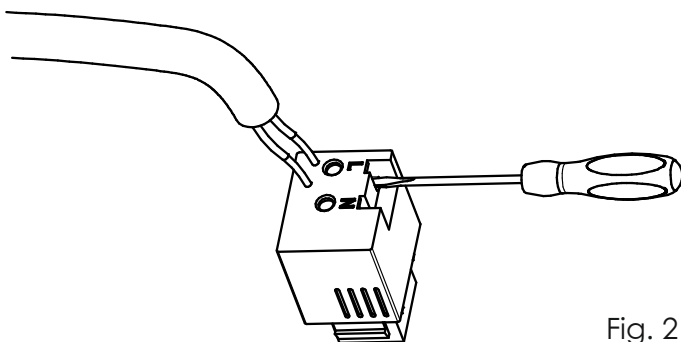


Fig. 2

NOTE!

The installation must be done by a person with sufficient qualifications, with power supply disconnected, and must comply with national safety standards.

The connection to the installation should be done as shown in Figure 2. With improper connection, the charger may be damaged or may work incorrectly.

USB charger mechanism with idle power supply consumes less than 0,2W.