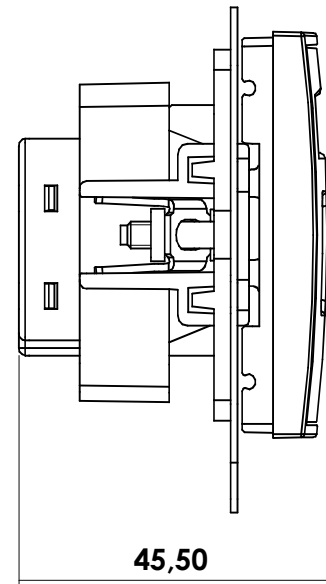
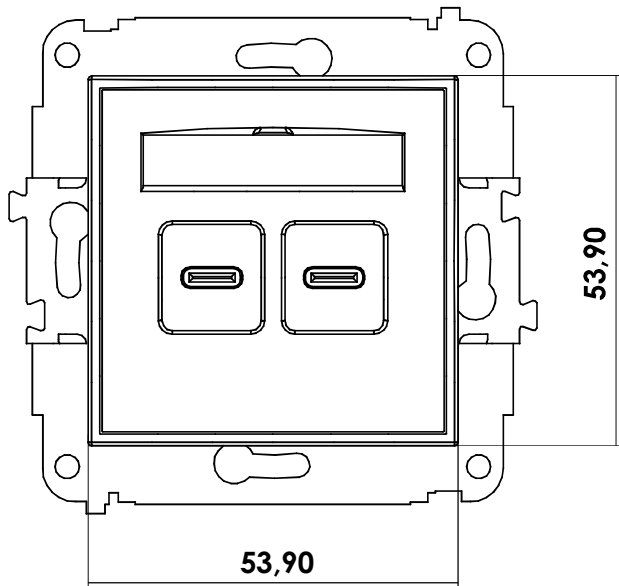


USER MANUAL - MCUSB-9

DOUBLE USB CHARGER

Specification of MCUSB-9 double USB charger

The MCUSB-9 charger is intended to charge devices like smartphones, tablets and other electronic equipment. Before connecting the device, check compliance of the charger with charging parameters of the given device.



Specification

Number of USB ports (type C)	2
Nominal input voltage	100-240 V~ 50/60Hz
Nominal output current	<ul style="list-style-type: none">• 5V/3A, 9V/3A, 12V/2.5A, 15V/2A, 20V/1.5A (when device is connected to only one USB output)• 5V/3A (in the case of connecting devices to two outputs, the output current is divided equally between each USB socket)
Maximum output power	30 W
Maximum power consumption in idle mode	0.1 W
Operating temperature and humidity	-10 ÷ +40°C; 20~90% RH
Storage temperature and humidity	-20 ÷ +85°C; 10~95% RH
Ingress protection degree	IP 20

Detection function of available charger protocols:

- when using only one USB-C output

APPLE	5V 2.4A
BC 1.2	DCP 5V 1.5A
SAMSUNG AFC	9V, 12V
HUAWEI FCP	5V, 9V, 12V
SCP	5.5-10.0V 2A 20W
QC 2.0	5V, 9V, 12V, 20V
QC 3.0	20.1V Max
PD 3.0	20V 30W

- when using both 2 x USB-C outputs

APPLE	5V 2.4A
BC 1.2	DCP 5V 1.5A
SAMSUNG AFC	9V, 12V
HUAWEI FCP	-
SCP	-
QC 2.0	5V, 9V, 12V, 20V
QC 3.0	-

Warranty conditions

Warranty is granted for a period of 12 months of the date of purchase. The defective MCUSB-9 charger along with the proof of purchase should be sent to the manufacturer or to the seller. Warranty does not include mechanical damages, defects resulting from unauthorised repairs and improper use of the product.

Warranty period will be extended for the duration of the repair.

ASSEMBLY INSTRUCTIONS

1. Remove the glass panel (1) with the label applying a knife or a flat screwdriver in the recess (3).
2. Unscrew the screw (2) and pull out the adapter (3) together with the USB charger module (4). If necessary, you can detach the USB charger module (4) from the adapter (3) by simultaneously pressing the two movable clips on the USB charger module (4).
3. Dismantle the USB charger modules (4).
4. Remove the spacer frame (5) from the assembly block (7). Pull away the block tabs or pull the frame tightly to do this.
5. Set the assembly block in the box (9) with tabs or screws at the box (8).
6. Connect the power cable to the terminal block of the USB charger module (see figure 2), respectively the phase wire under the "L" terminal, the neutral wire under the "N" terminal.
7. Insert the intermediate with the USB charger module (4) into the intermediate frame (5) and screw it onto the mounting block (7) with the screw (2).
8. Attach the label and glass pane.

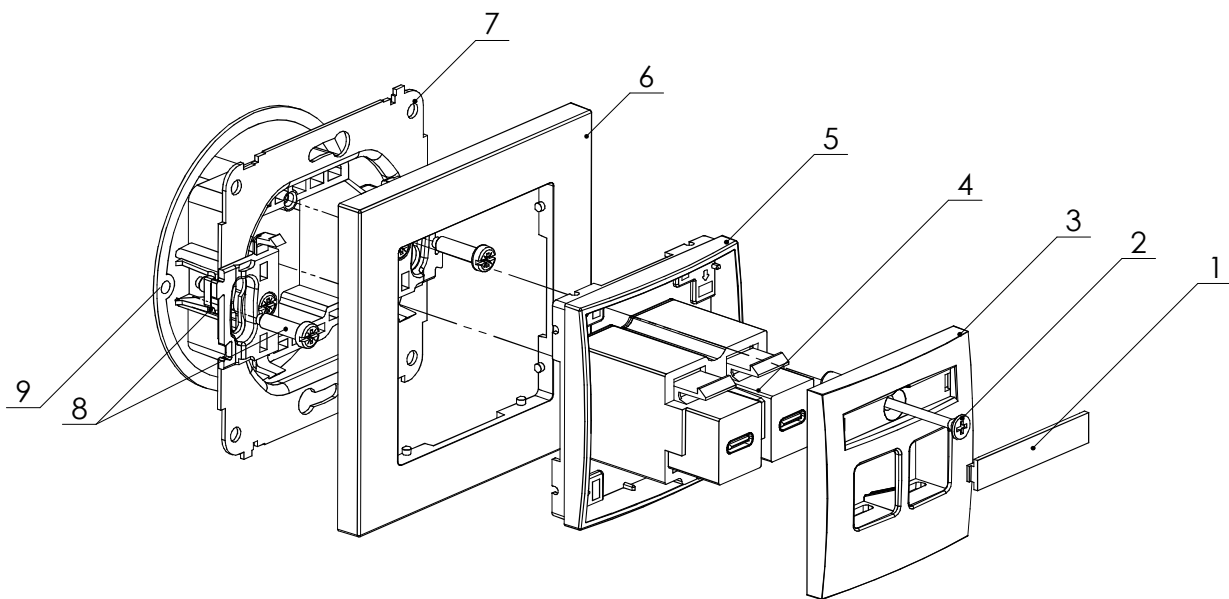


Fig. 1

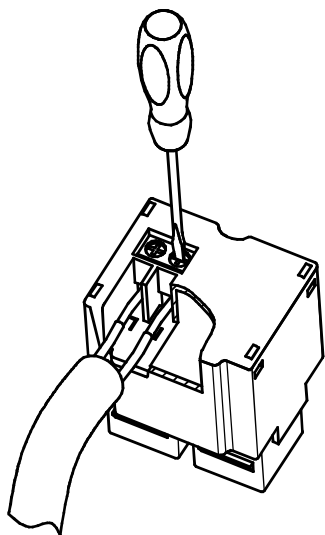


Fig. 2

NOTE!

The installation must be done by a person with sufficient qualifications, with power supply disconnected, and must comply with national safety standards.

The connection to the installation should be done as shown in Figure 2. With improper connection, the charger may be damaged or may work incorrectly.