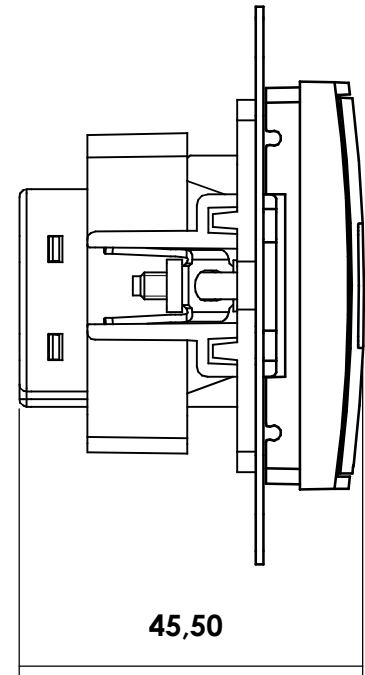
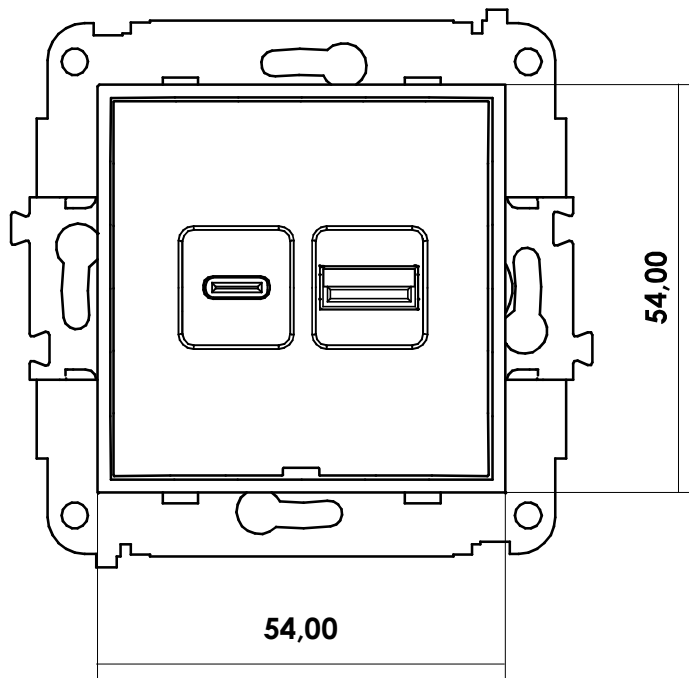


USER MANUAL - MCUSBBO-10

DOUBLE USB CHARGER

Specification of MCUSBBO-10 double USB charger

The MCUSBBO-10 charger is intended to charge devices like smartphones, tablets and other electronic equipment. Before connecting the device, check compliance of the charger with charging parameters of the given device.



Specification

Number of USB ports (type C)	1
Number of USB ports (type A)	1
Nominal input voltage	100-240 V~ 50/60Hz
Nominal output current	<ul style="list-style-type: none"> • 5V/3A, 9V/3A, 12V/2.5A, 15V/2A, 20V/1.5A (when device is connected to only one USB-C output) • 5V/3A, 9V/3A, 12V/2.5A, 15V/2A, 20V/1.5A (when device is connected to only one USB-A output) • 5V/3A (in the case of connecting devices to two outputs, the output current is divided equally between each USB socket)
Maximum output power	30 W
Maximum power consumption in idle mode	0.1 W
Operating temperature and humidity	-10 ÷ +40°C; 20~90% RH
Storage temperature and humidity	-20 ÷ +85°C; 10~95% RH
Ingress protection degree	IP 20

Detection function of available charger protocols:

- when using only one USB-C or USB-A output

APPLE	5V 2.4A
BC 1.2	DCP 5V 1.5A
SAMSUNG AFC	9V, 12V
HUAWEI FCP	5V, 9V, 12V
SCP	5.5-10.0V 2A 20W
QC 2.0	5V, 9V, 12V, 20W
QC 3.0	20.1V Max
PD 3.0	20V 30W

- when using both USB-C and USB-A outputs

APPLE	5V 2.4A
BC 1.2	DCP 5V 1.5A
SAMSUNG AFC	9V, 12V
HUAWEI FCP	-
SCP	-
QC 2.0	5V, 9V, 12V, 20V
QC 3.0	-

Warranty conditions

Warranty is granted for a period of 12 months of the date of purchase. The defective MCUSBBO-10 charger along with the proof of purchase should be sent to the manufacturer or to the seller. Warranty does not include mechanical damages, defects resulting from unauthorised repairs and improper use of the product.

Warranty period will be extended for the duration of the repair.

ASSEMBLY INSTRUCTIONS

1. Remove the adapter (2) of the charger by levering it with a knife or a flat screwdriver in the place of the recess (1) on the adapter.
2. Unscrew the screw (3) and pull out the adapter (4) together with the USB charger module (5). If necessary, you can detach the USB charger module from the adapter by pressing the movable catch on the module.
3. Disassemble the intermediate frame (6) from the mounting block (8). To disassemble, bend the cube latches or pull the intermediate frame harder.
4. Install the mounting block (8) in the box (9) using claws or screws at the box (10).
5. Attach the intermediate frame (6) to the outer frame (7) and snap the whole thing onto the latches (8) protruding from the cube.
6. Connect the power cable to the terminal strip of the USB charger module (see Figure 2) respectively, the phase wire under the "L" terminal, the neutral wire under "N".
7. Insert the adapter (4) with the USB charger module (5) into the intermediate frame (6) and screw it to the mounting block (8) using the screw (3).
8. Insert the adapter (2).

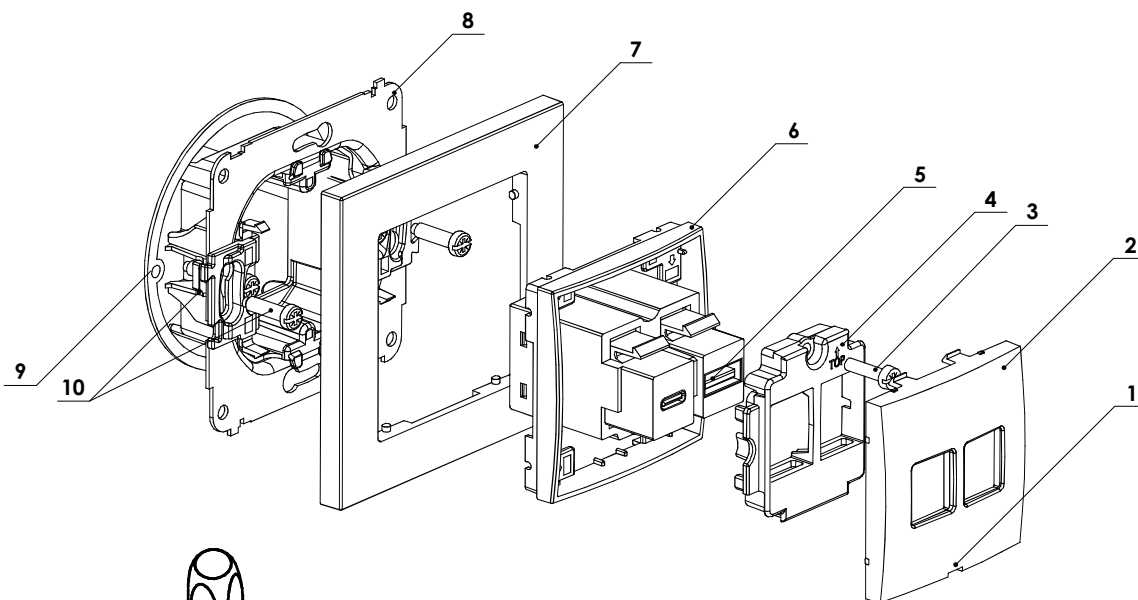


Fig. 1

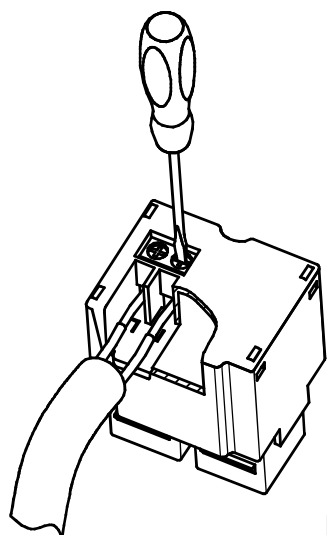


Fig. 2

NOTE!

The installation must be done by a person with sufficient qualifications, with power supply disconnected, and must comply with national safety standards.

The connection to the installation should be done as shown in Figure 2. With improper connection, the charger may be damaged or may work incorrectly.